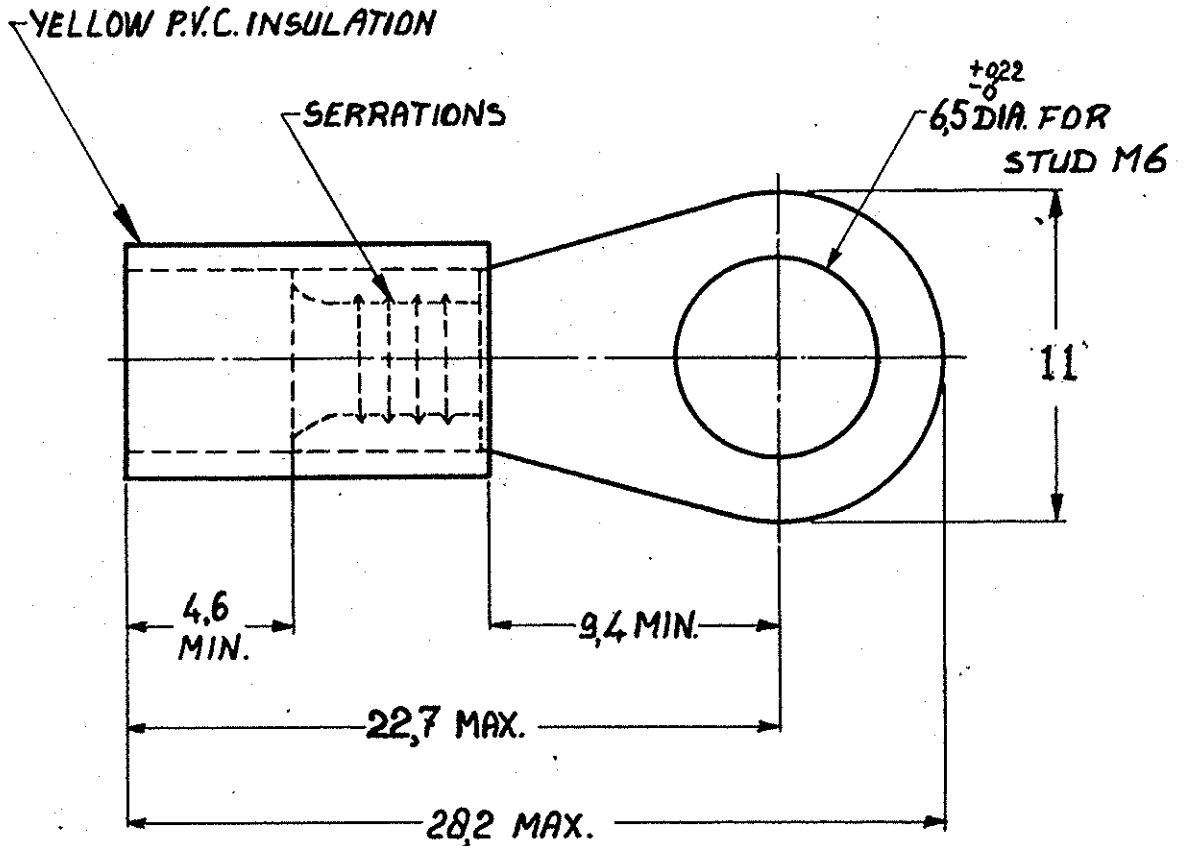


DRAWING MADE IN AMERICAN PROJECTION

NUMBER C-165414-E



TONGUE MATERIAL THICKNESS: 10

REV C 30-8-85 DIMENSIONS IN M.M. DO NOT SCALE PRINT

**CUSTOMER COPY FOR REFERENCE ONLY**

©1970 BY AMP-HOLLAND N.V. ALL RIGHTS RESERVED A-MP PRODUCTS COVERED BY PATENTS AND/OR PATENTS PENDING.



AMP-HOLLAND N.V.  
HERTOGENBOSCH  
HOLLAND

OBS  
2-165414-1 165414 TAPE MOUNTED

ORDER NO.	MATERIAL	PLATING
165414	COPPER	TIN

WIRE-RANGE	INSUL.-RANGE	TYPE	DIN
4-6 mm <sup>2</sup>	5.6 DIA. MAX	PLASTI-GRIP	

SCALE	LOC	SIZE	NO	REV
4:1	H	A	C-165414-E	F

DR	DATE	DE	DATE
DR	11-1970		
CHK	DATE	APP	DATE
			11-1970

NAME INSULATED RINGTONGUE for stud M6